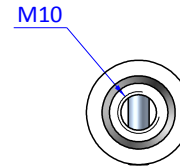
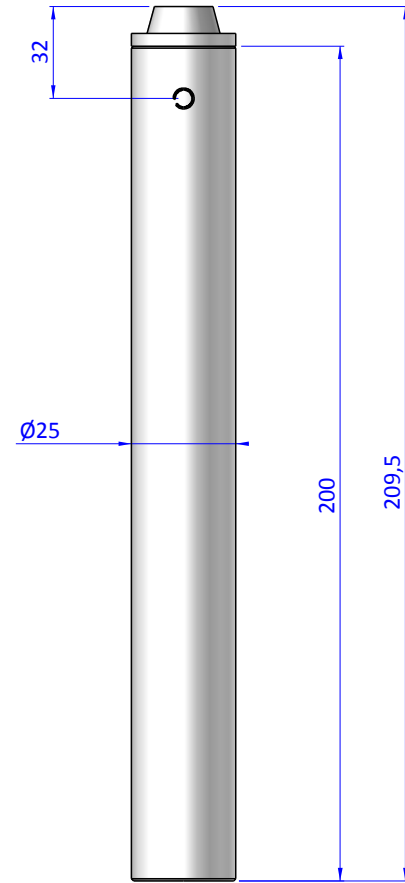
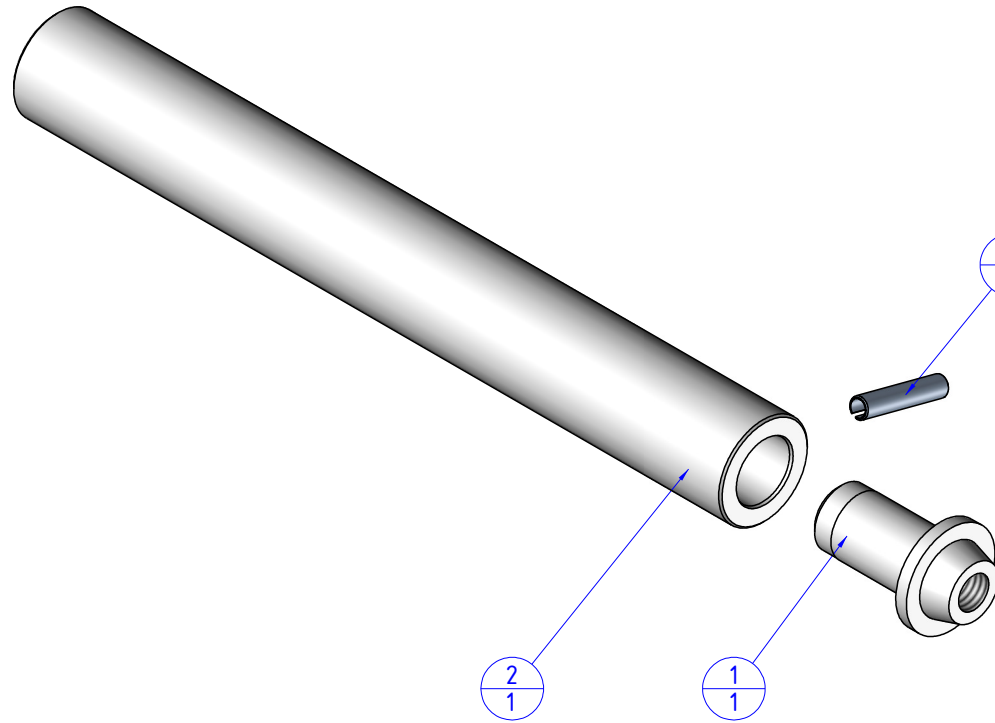


THE PROPERTY OF THE DRAWING IS ESTABLISHED BY LAW. IT IS FORBIDDEN TO PRODUCE OR SHOW IT TO THIRD PARTY, WITHOUT A WRITTEN AGREEMENT.

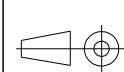
Item	Name	Q. ty
1	R.VLR	1
2	R.VLR.200	1
3	SPE.5X24	1



Format A3

UNI 936-76

FP SERVICES AUTOMATION		DESIGNED FROM FPSERVICES		REVIEW A
GENERAL TOLERANCE UNI - ISO 2768 CLASSE f		DATE 21/12/2018	WEIGHT 0,018kg	
		CODE CA.R.VLR.200		



CA.R.VLR.200

CA.R.VLR.200